

# Truss Layout

Powered by FRAMECAD Detailer ©

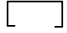


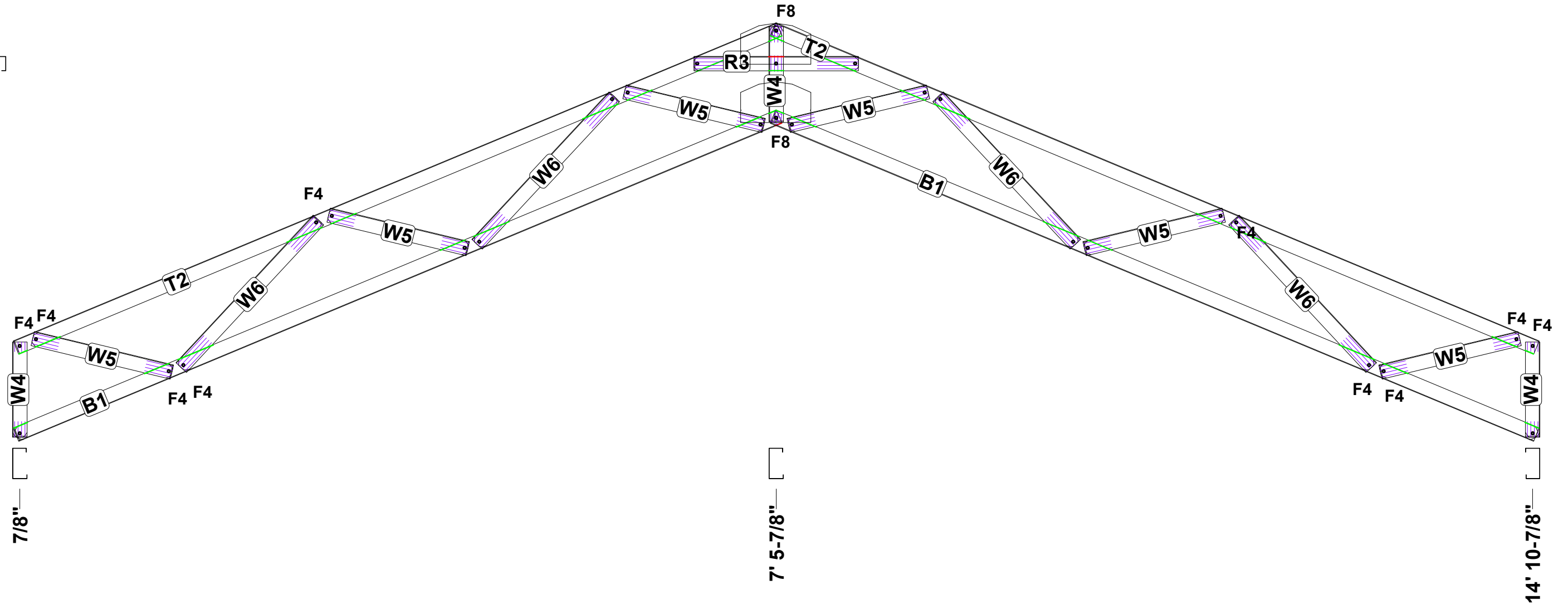
www.framecad.com

Little House

Roof Trusses

JOB NUMBER: " "	
DATE LAST SAVED: 26 March 2026	SCALE: 1:26.9 on Tabloid
DRAWN:	REVISION:

11' 8-11/16" 



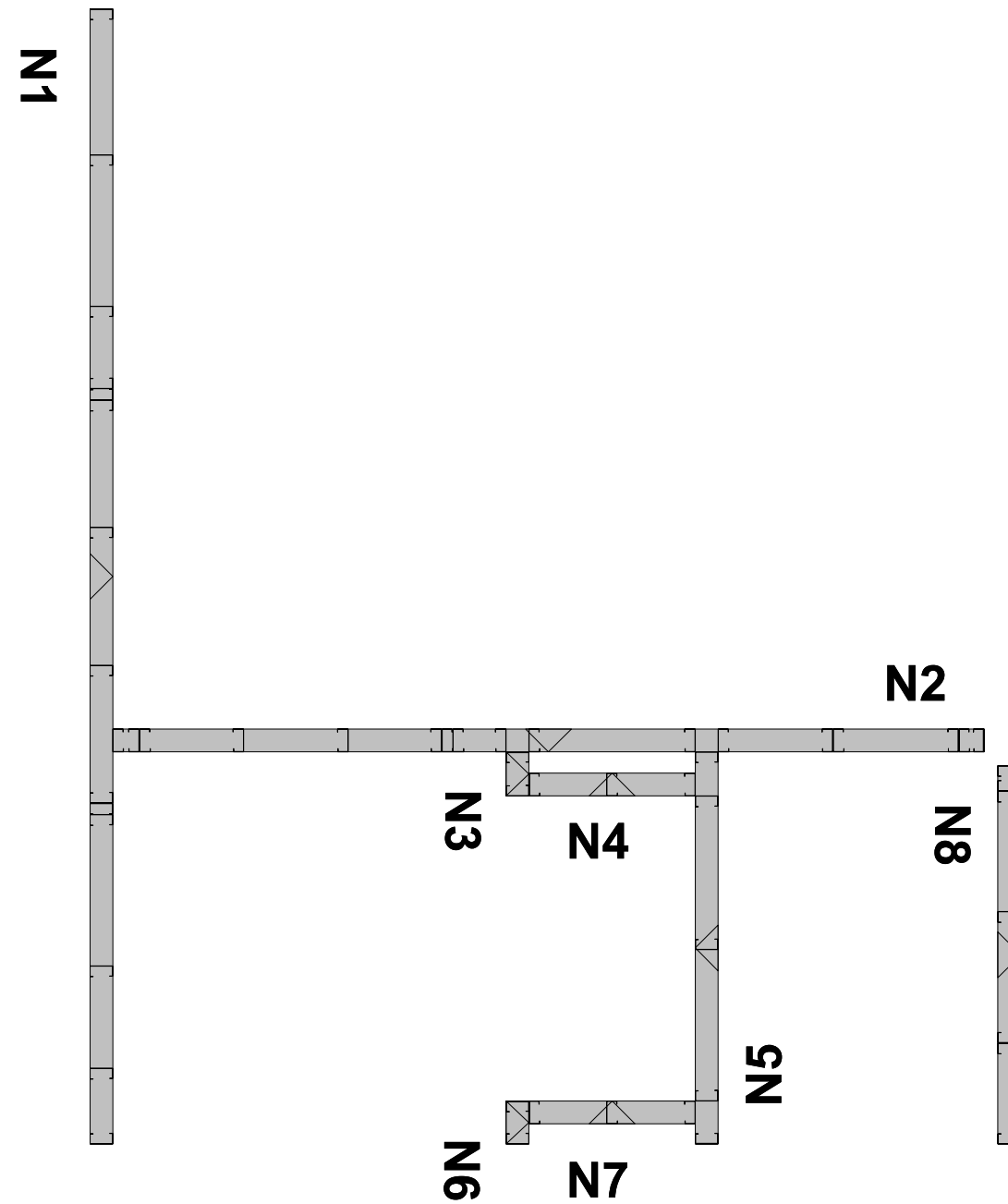
7/8" 

7' 5-7/8" 

14' 10-7/8" 

Powered by FRAMECAD Detailer ©

 <p><b>FRAMECAD</b> The way the world constructs</p> <p>www.framecad.com</p>	<p><b>Little House</b></p>	<p><b>Roof Trusses - N1-1</b></p>	
		<p>JOB NUMBER: " "</p>	
		<p>DATE LAST SAVED: 26 March 2026</p>	<p>SCALE: Not to scale</p>
		<p>DRAWN:</p>	<p>REVISION:</p>



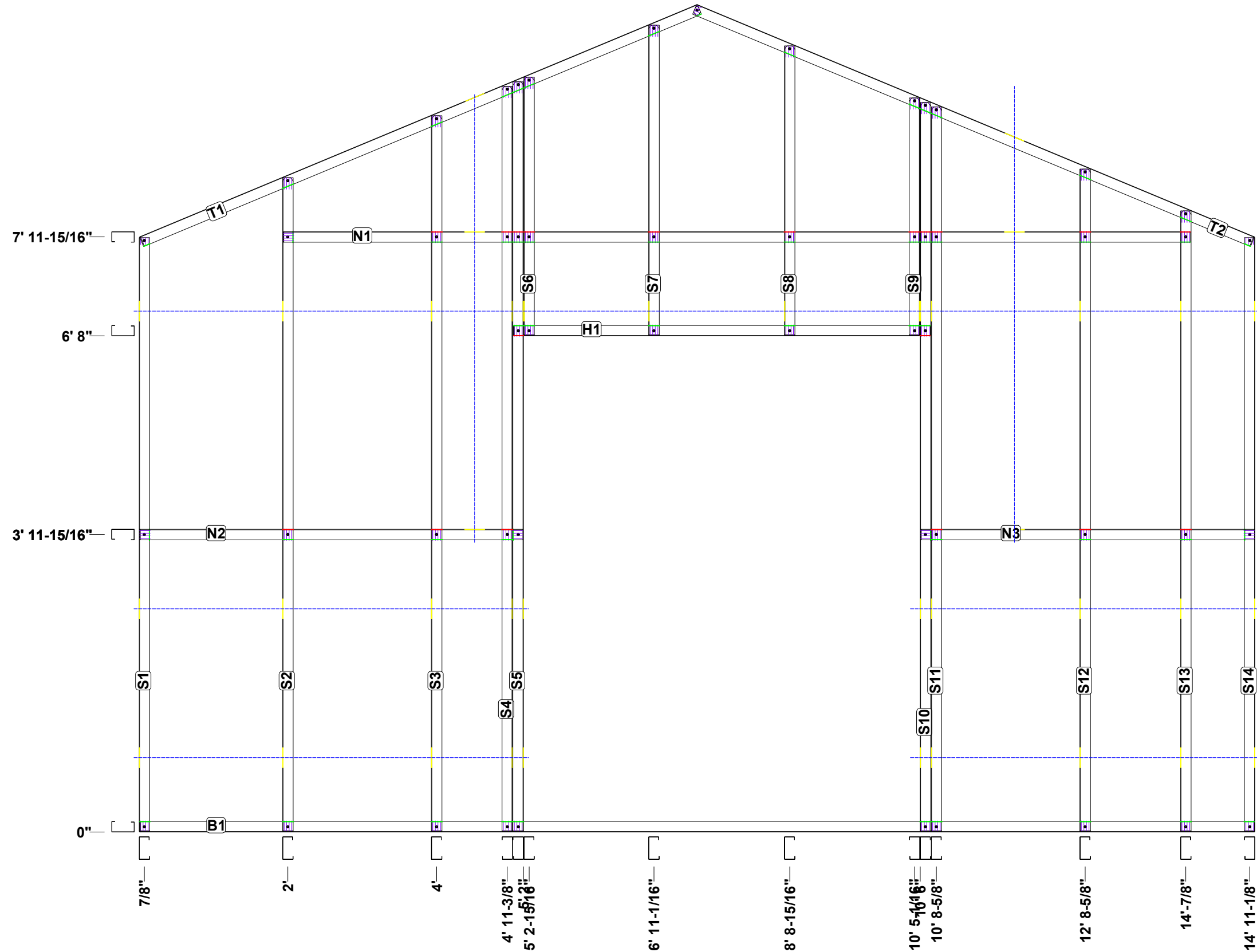
# Wall Layout

Powered by FRAMECAD Detailer ©


**FRAMECAD®**  
 The way the world constructs  
[www.framecad.com](http://www.framecad.com)

Little House

Wall Panels	
JOB NUMBER: " "	
DATE LAST SAVED: 26 March 2026	SCALE: 1:26.91 on Tabloid
DRAWN:	REVISION:



Powered by FRAMECAD Detailer ©



www.framecad.com

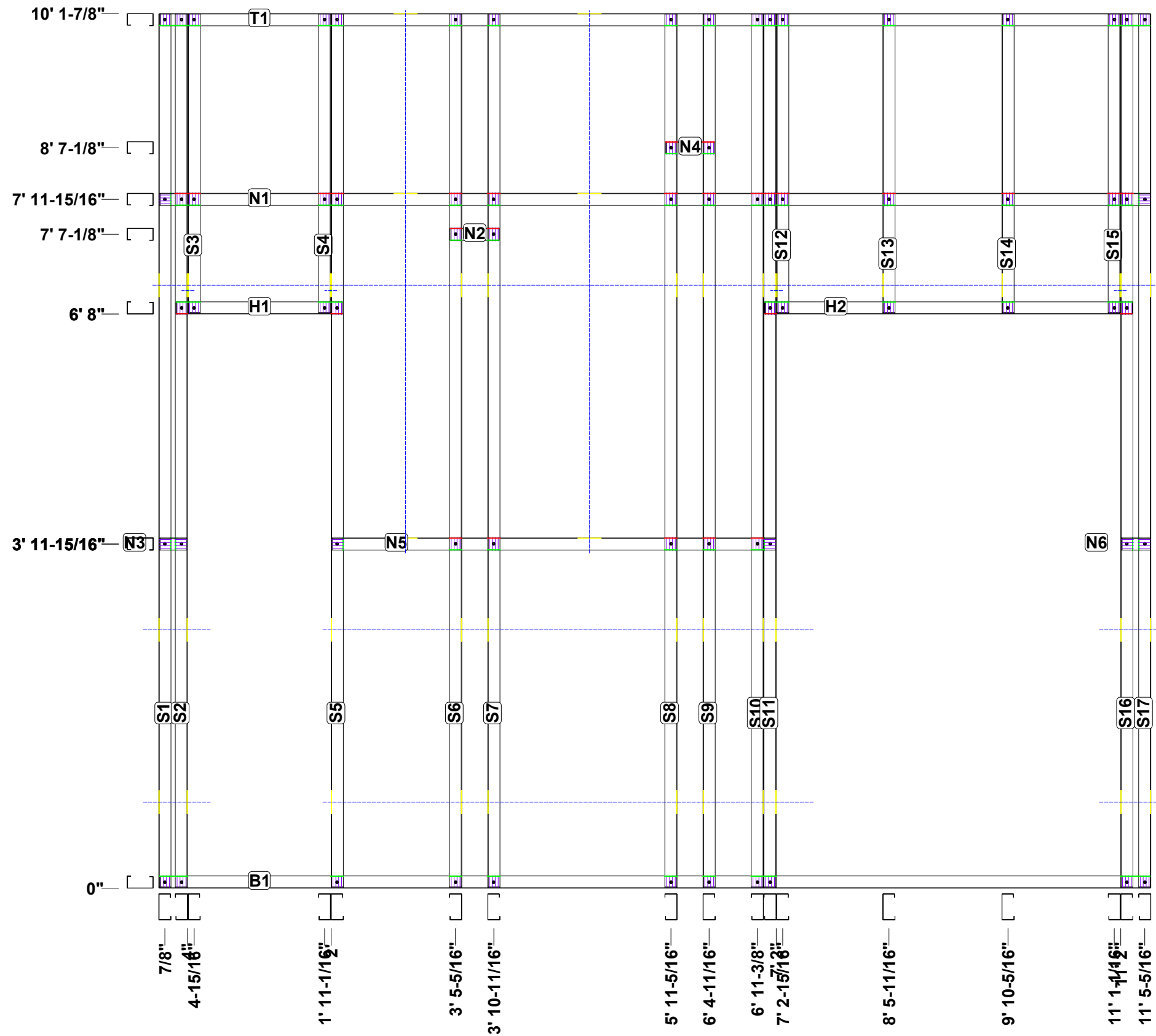
Little House

Wall Panels - N1

JOB NUMBER: " "	
DATE LAST SAVED: 26 March 2026	SCALE: Not to scale
DRAWN:	REVISION:

Total Length: 180'-15/16" Estimated Total Weight: 170.9 lb

Quantity: 1



Powered by FRAMECAD Detaller ©



www.framecad.com

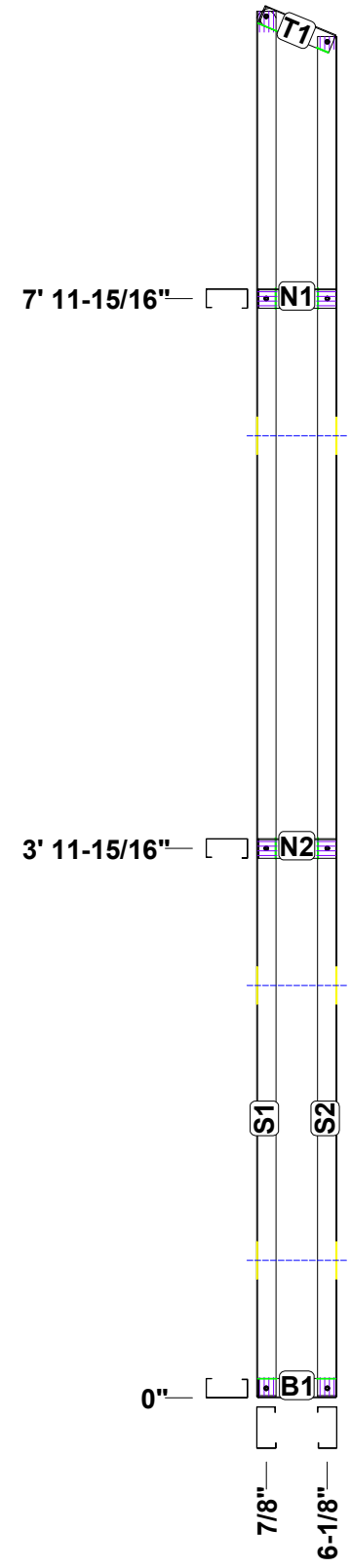
Little House

Wall Panels - N2

JOB NUMBER: " "	
DATE LAST SAVED: 26 March 2026	SCALE: Not to scale
DRAWN:	REVISION:

Total Length: 22' 3" Estimated Total Weight: 21.1 lb

Quantity: 1



Powered by FRAMECAD Detailer ©

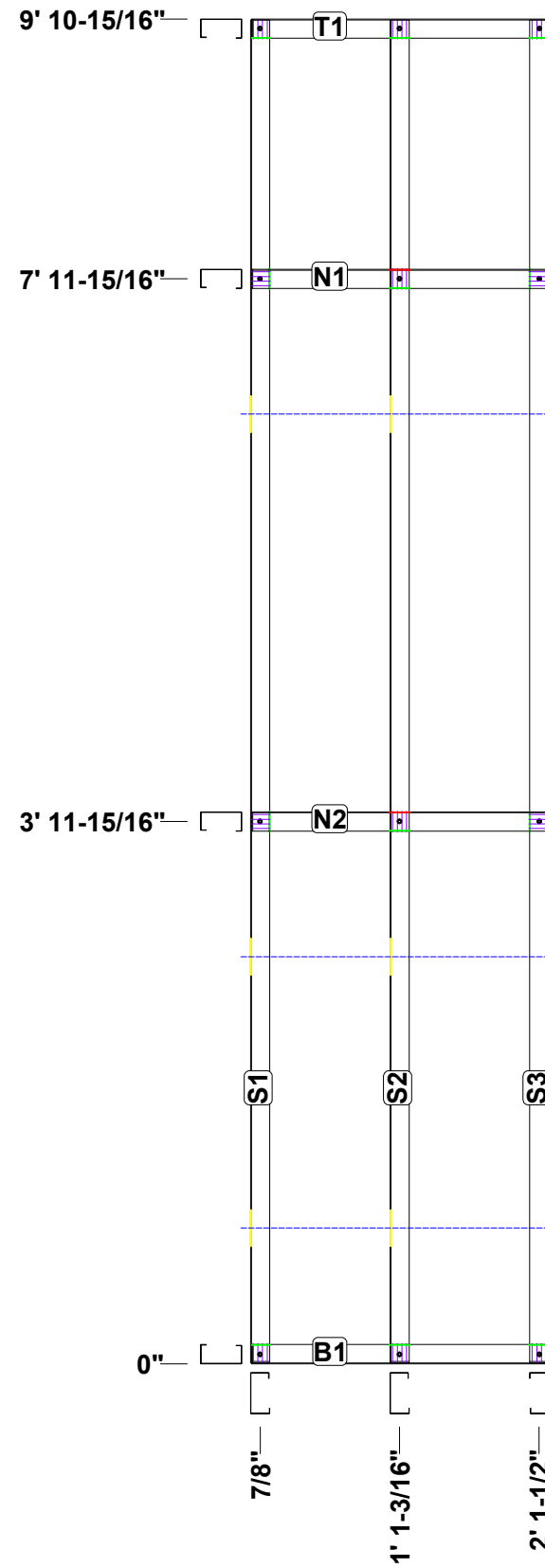
 **FRAMECAD**<sup>®</sup>  
The way the world constructs  
[www.framecad.com](http://www.framecad.com)

**Little House**

<b>Wall Panels - N3</b>	
JOB NUMBER: " "	
DATE LAST SAVED: 26 March 2026	SCALE: Not to scale
DRAWN:	REVISION:

Total Length: 38' 5-3/16" Estimated Total Weight: 36.5 lb

Quantity: 1



Powered by FRAMECAD Detailer ©

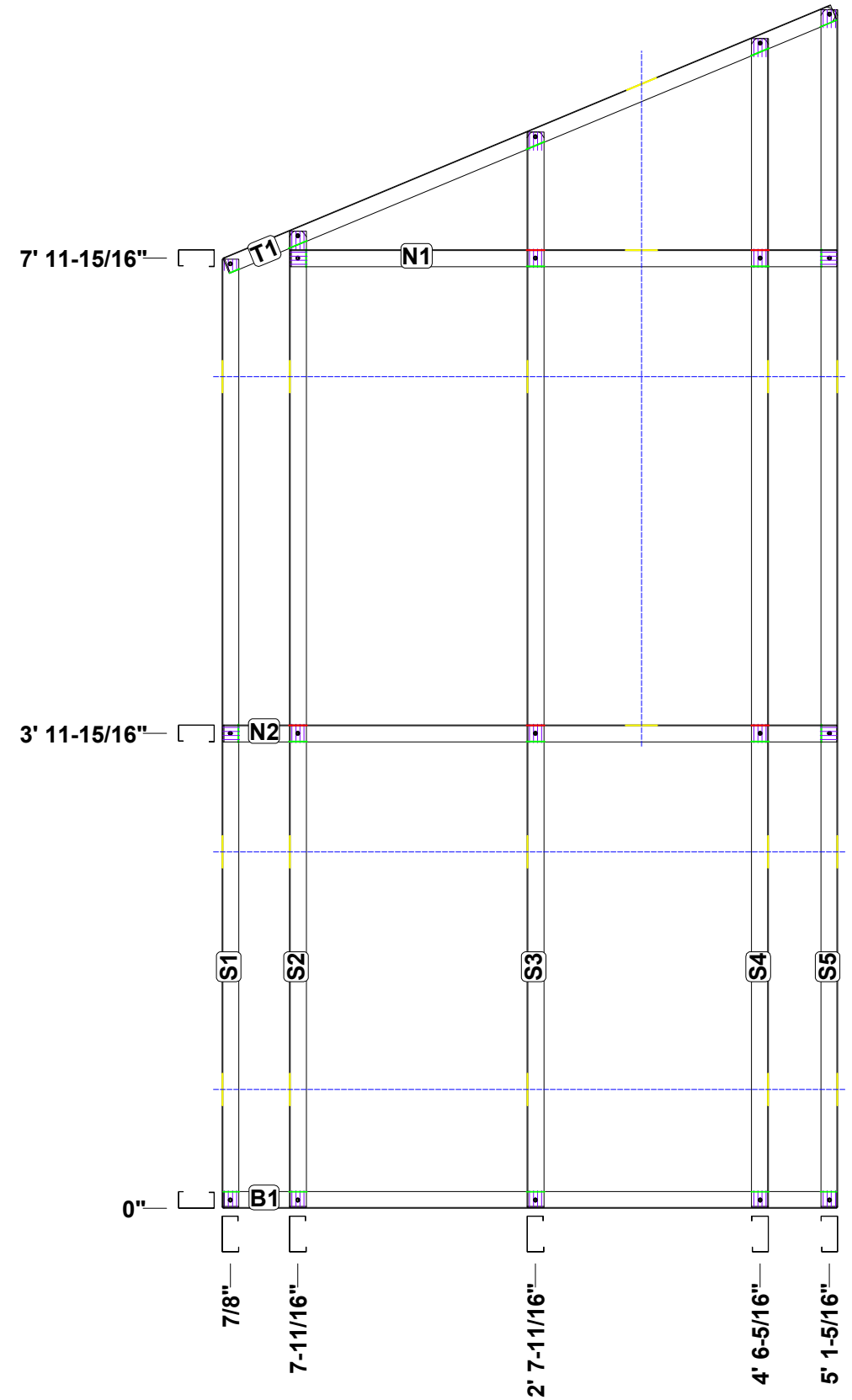


www.framecad.com

Little House

Wall Panels - N4

JOB NUMBER: " "	
DATE LAST SAVED: 26 March 2026	SCALE: Not to scale
DRAWN:	REVISION:



Powered by FRAMECAD Detailer ©



www.framecad.com

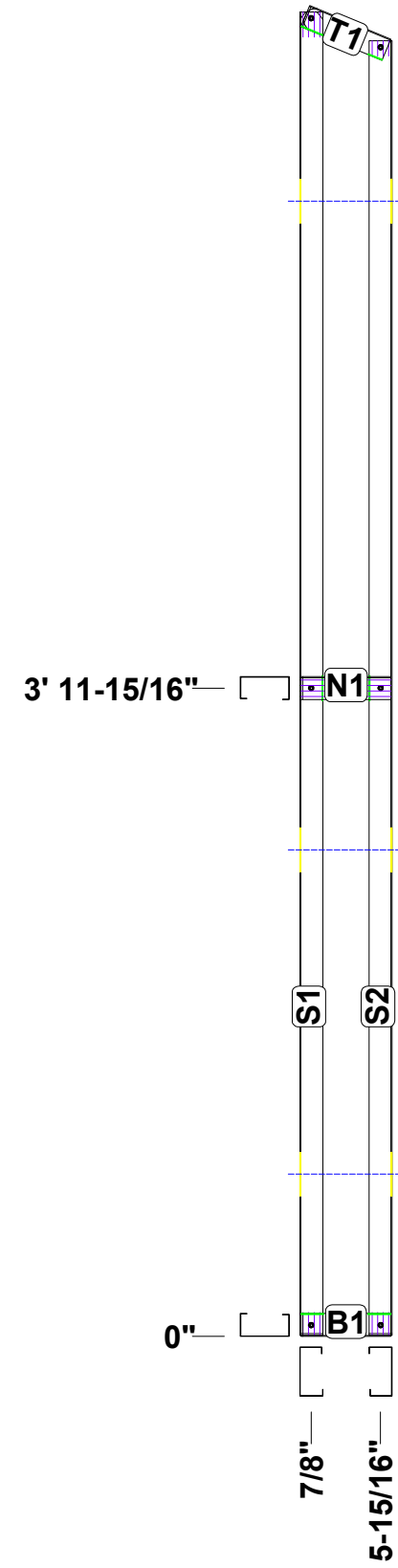
Little House

Wall Panels - N5

JOB NUMBER: " "	
DATE LAST SAVED: 26 March 2026	SCALE: Not to scale
DRAWN:	REVISION:

Total Length: 17' 9-1/2" Estimated Total Weight: 16.9 lb

Quantity: 1



Powered by FRAMECAD Detailer ©



www.framecad.com

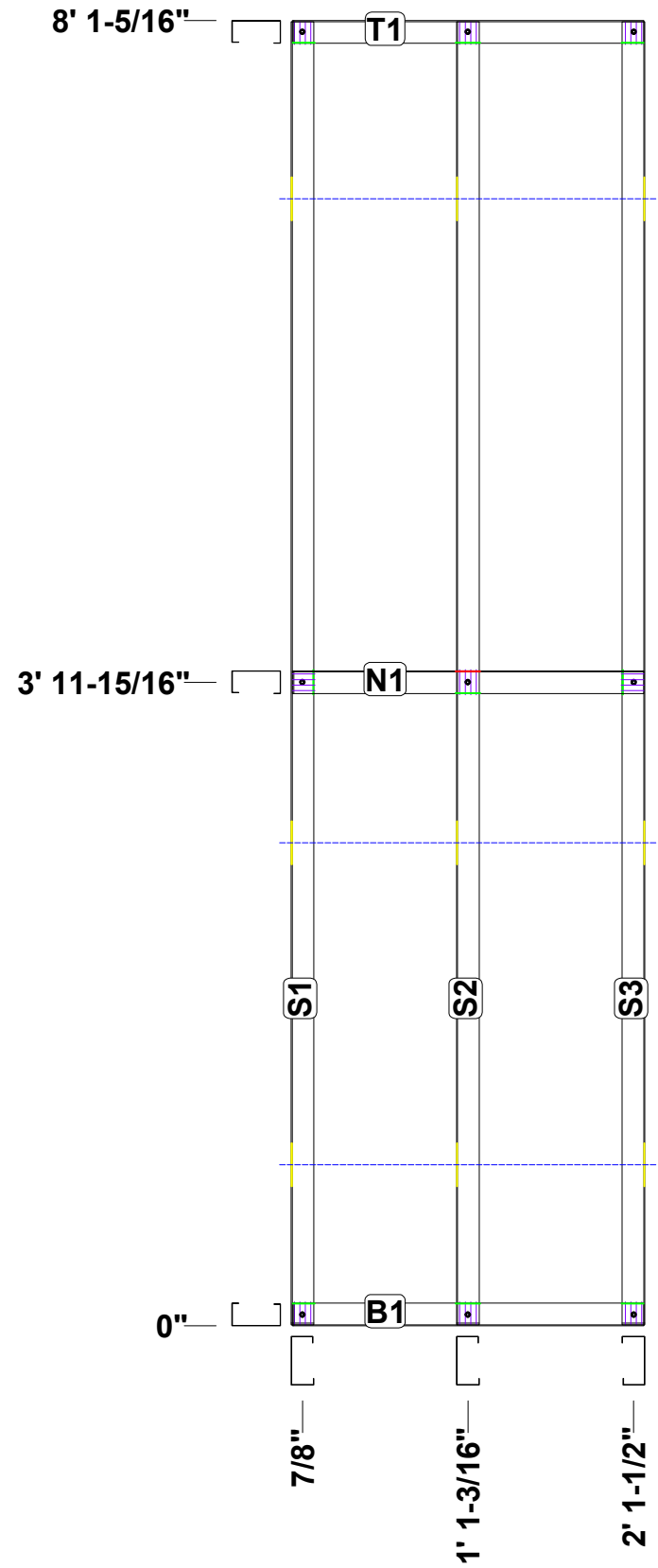
Little House

Wall Panels - N6

JOB NUMBER: " "	
DATE LAST SAVED: 26 March 2026	SCALE: Not to scale
DRAWN:	REVISION:

Total Length: 30' 10" Estimated Total Weight: 29.3 lb

Quantity: 1



Powered by FRAMECAD Detailer ©



www.framecad.com

Little House

Wall Panels - N7

JOB NUMBER: " "	
DATE LAST SAVED: 26 March 2026	SCALE: Not to scale
DRAWN:	REVISION: