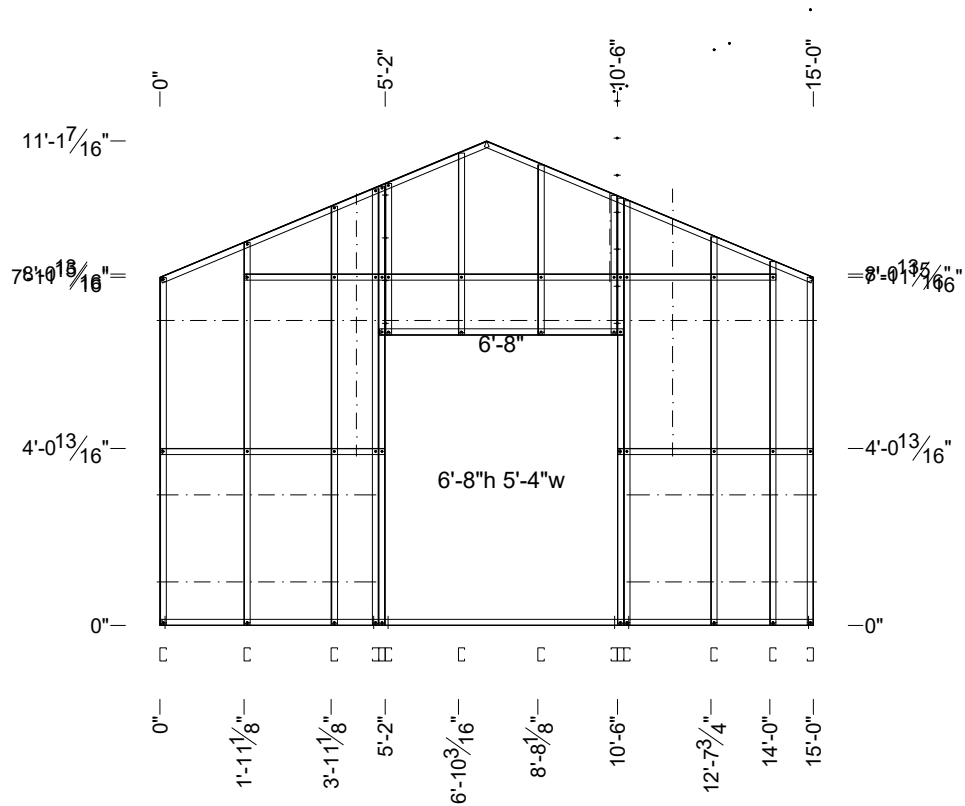


362S162-33-50	1	3'-5 5/8"	362S162-33-50	1	3'-10 3/4"	362S162-33-50	1	4'-2"	362S162-33-50	1	4'-5 3/4"	362S162-33-50	1	5'-1 3/4"
362S162-33-50	1	5'-7 3/16"	362S162-33-50	1	7'-11 13/16"	362S162-33-50	1	7'-11 7/8"	362S162-33-50	2	8'-1 1/2"	362S162-33-50	1	8'-9 3/16"
362S162-33-50	1	8'-9 7/16"	362S162-33-50	1	8'-10 15/16"	362S162-33-50	1	9'-7 7/16"	362S162-33-50	1	9'-8 15/16"	362S162-33-50	1	9'-9 11/16"
362S162-33-50	1	10'-0 3/16"	362S162-33-50	1	10'-0 15/16"	362S162-33-50	1	11'-2 7/16"	362S162-33-50	1	15'-0"	362S162-33-50	1	1'-9 5/8"
362S162-33-50	1	3'-2 3/8"												

Assembly Weight 154lbs Working Sheet: Wall Panels FRAMECAD 10g-19mm XDrive 128

Powered by FRAMECAD Structure ®

Diagonal = 18'-8 1/16"



<<< Joins Quantity Required = 1 Mark as N1 Header Status = Passed Stud Status = Passed Joins >>>

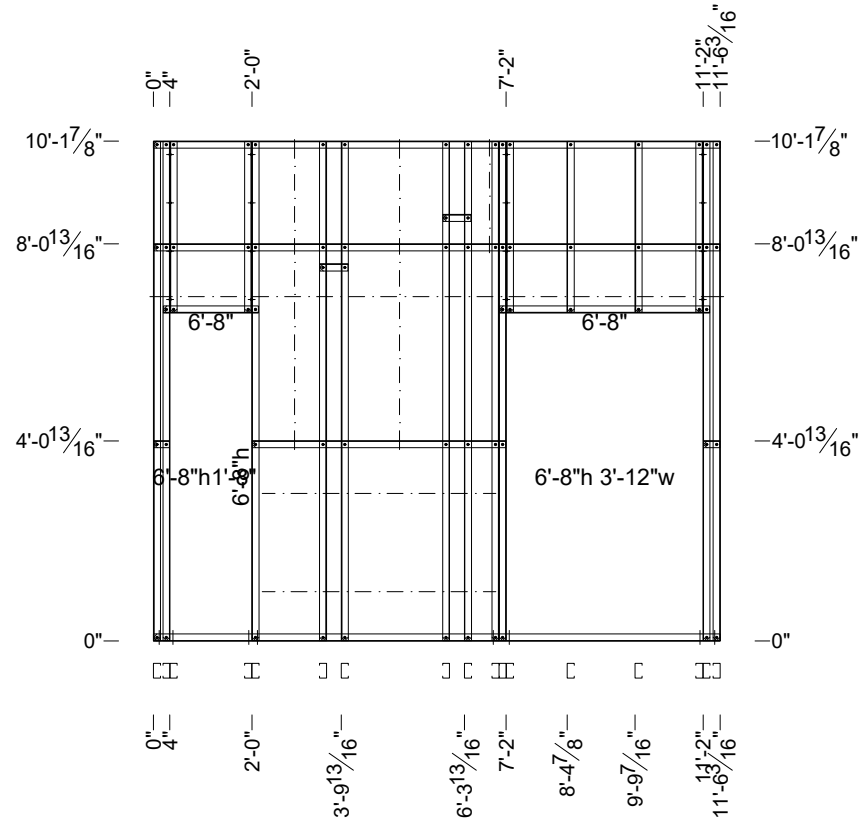
System Name:	FRAMECAD_FT_i	Wall Type:	Non Load Bearing	Wind Speed:	W180	Design Code:	AISI S100-20 ASD
Loading Code:	IBC 2015 ASD	Material Grade Reduction:	Not Applied	Panel RL:	0"	Envelope:	11'-1 7/16" h x 15'-0" w
Direction:	N-S						

SteelTek Framing Dwg: Little House R1 View 1 of 8 Client: Little House Job No:

362S162-33-50	1	3 15/16"	362S162-33-50	6	3'-5 11/16"	362S162-33-50	1	4'-3 3/16"	362S162-33-50	1	5'-1 3/4"	362S162-33-50	2	6 13/16"
362S162-33-50	11	10'-1 11/16"	362S162-33-50	1	11'-5 15/16"	362S162-33-50	2	11'-6 3/16"	362S162-33-50	1	1'-11 3/16"	362S162-33-50	1	3 3/4"
Assembly Weight		167lbs		Working Sheet: Wall Panels				FRAMECAD 10g-19mm XDrive		172				

Powered by FRAMECAD Structure ®

Diagonal = 15'-4 1/4"



<<< Joins      **Quantity Required = 1   Mark as N2   Header Status = Passed   Stud Status = Passed**      Joins N1 >>>

System Name:	FRAMECAD_FT_i	Wall Type:	Non Load Bearing	Wind Speed:	W180	Design Code:	AISI S100-20 ASD
Loading Code:	IBC 2015 ASD	Material Grade Reduction:	Not Applied	Panel RL:	0"	Envelope:	10'-1 7/8" h x 11'-6 3/16" w
Direction:	E-W						

SteelTek Framing

Dwg: Little House R1   View 2 of 8

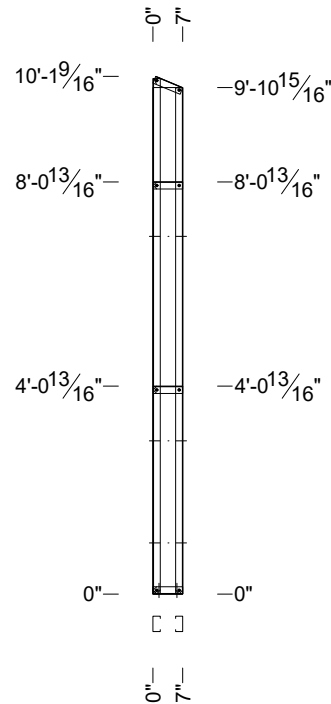
Client: Little House

Job No:

362S162-33-50	1	6 7/8"	362S162-33-50	2	6 15/16"	362S162-33-50	1	7"	362S162-33-50	1	9'-10 3/4"	362S162-33-50	1	10'-1"
Assembly Weight			21lbs			Working Sheet: Wall Panels			FRAMECAD 10g-19mm XDrive			16		

Powered by FRAMECAD Structure ®

Diagonal = 10'-1 13/16"



<<< Joins N2

Quantity Required = 1 Mark as N3 Stud Status = Passed

Joins N4 >>>

System Name:	FRAMECAD_FT_i	Wall Type:	Non Load Bearing	Wind Speed:	W180	Design Code:	AISI S100-20 ASD
Loading Code:	IBC 2015 ASD	Material Grade Reduction:	Not Applied	Panel RL:	0"	Envelope:	10'-1 9/16"h x 7"w
Direction:	N-S						

SteelTek Framing

Dwg: Little House R1 View 3 of 8

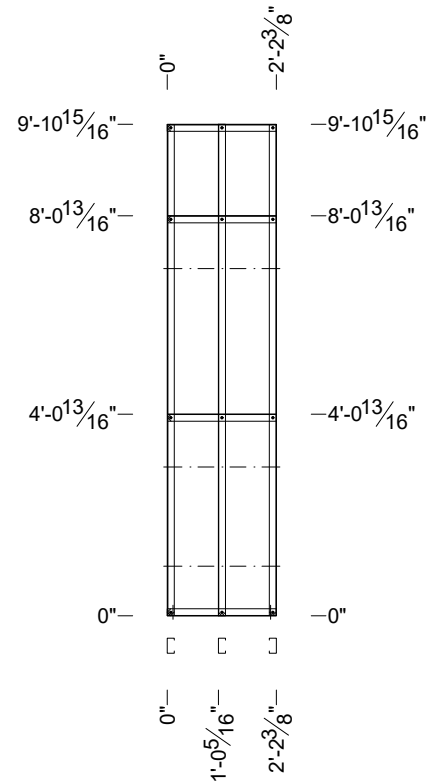
Client: Little House

Job No:

362S162-33-50	2	9'-10 13/16"	362S162-33-50	1	9'-10 15/16"	362S162-33-50	2	2'-2 5/16"	362S162-33-50	2	2'-2 3/8"
Assembly Weight	36lbs		Working Sheet: Wall Panels			FRAMECAD 10g-19mm XDrive		24			

Powered by FRAMECAD Structure ®

Diagonal = 10'-1 13/16"



<<< Joins N3

Quantity Required = 1 Mark as N4 Stud Status = Passed

Joins N5 >>>

System Name:	FRAMECAD_FT_i	Wall Type:	Non Load Bearing	Wind Speed:	W180	Design Code:	AISI S100-20 ASD
Loading Code:	IBC 2015 ASD	Material Grade Reduction:	Not Applied	Panel RL:	0"	Envelope:	9'-10 15/16"h x 2'-2 3/8"w
Direction:	W-E						

SteelTek Framing

Dwg: Little House R1 View 4 of 8

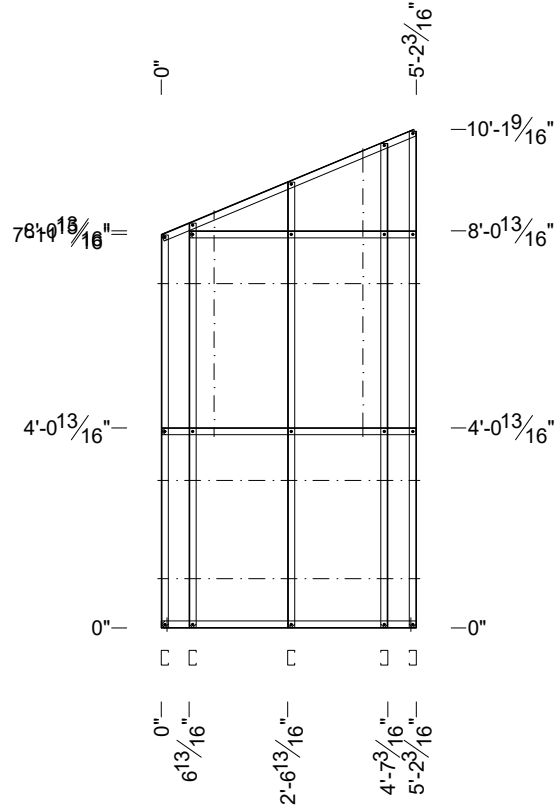
Client: Little House

Job No:

362S162-33-50	1	4'-7 1/8"	362S162-33-50	1	5'-1 15/16"	362S162-33-50	1	5'-2 3/16"	362S162-33-50	1	5'-6 11/16"	362S162-33-50	1	8 1/2"
362S162-33-50	1	7'-11 13/16"	362S162-33-50	1	8'-2 5/8"	362S162-33-50	1	9'-0 5/8"	362S162-33-50	1	9'-10 1/16"	362S162-33-50	1	10'-1"
Assembly Weight		62lbs		Working Sheet: Wall Panels				FRAMECAD 10g-19mm XDrive		42				

Powered by FRAMECAD Structure ®

Diagonal = 11'-4 9/16"



<<< Joins Quantity Required = 1 Mark as N5 Stud Status = Passed Joins N2 >>>

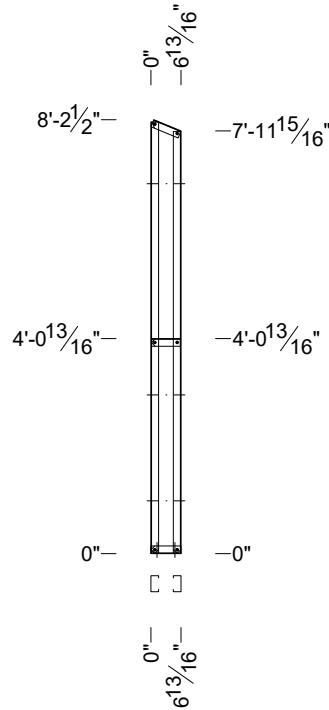
System Name:	FRAMECAD_FT_i	Wall Type:	Non Load Bearing	Wind Speed:	W180	Design Code:	AISI S100-20 ASD
Loading Code:	IBC 2015 ASD	Material Grade Reduction:	Not Applied	Panel RL:	0"	Envelope:	10'-1 9/16"h x 5'-2 3/16"w
Direction:	S-N						

362S162-33-50	1	6 9/16"	362S162-33-50	1	6 11/16"	362S162-33-50	1	6 13/16"	362S162-33-50	1	7'-11 13/16"	362S162-33-50	1	8'-1 15/16"
---------------	---	---------	---------------	---	----------	---------------	---	----------	---------------	---	--------------	---------------	---	-------------

Assembly Weight	17lbs	Working Sheet: Wall Panels	FRAMECAD 10g-19mm XDrive	12
-----------------	-------	----------------------------	--------------------------	----

Powered by FRAMECAD Structure ®

Diagonal = 8'-2 3/4"



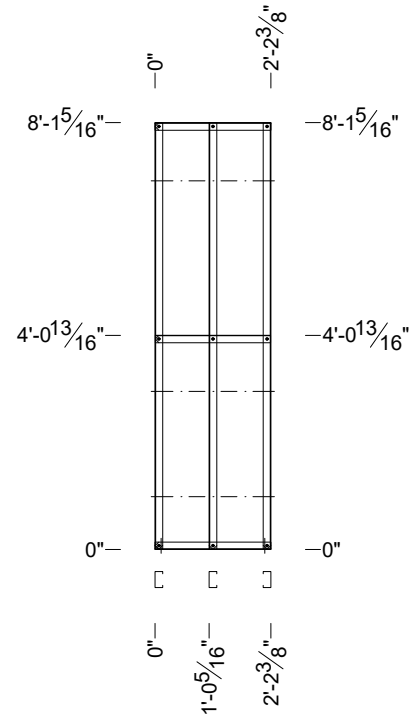
<<< Joins N7 Quantity Required = 1 Mark as N6 Stud Status = Passed Joins >>>

System Name:	FRAMECAD_FT_i	Wall Type:	Non Load Bearing	Wind Speed:	W180	Design Code:	AISI S100-20 ASD
Loading Code:	IBC 2015 ASD	Material Grade Reduction:	Not Applied	Panel RL:	0"	Envelope:	8'-2 1/2"h x 6 13/16"w
Direction:	N-S						

362S162-33-50	2	8'-1 1/8"	362S162-33-50	1	8'-1 5/16"	362S162-33-50	1	2'-2 5/16"	362S162-33-50	2	2'-2 3/8"
Assembly Weight	29lbs		Working Sheet: Wall Panels			FRAMECAD 10g-19mm XDrive			18		

Powered by FRAMECAD Structure ®

Diagonal = 8'-4 13/16"



<<< Joins N6 Quantity Required = 1 Mark as N7 Stud Status = Passed Joins N5 >>>

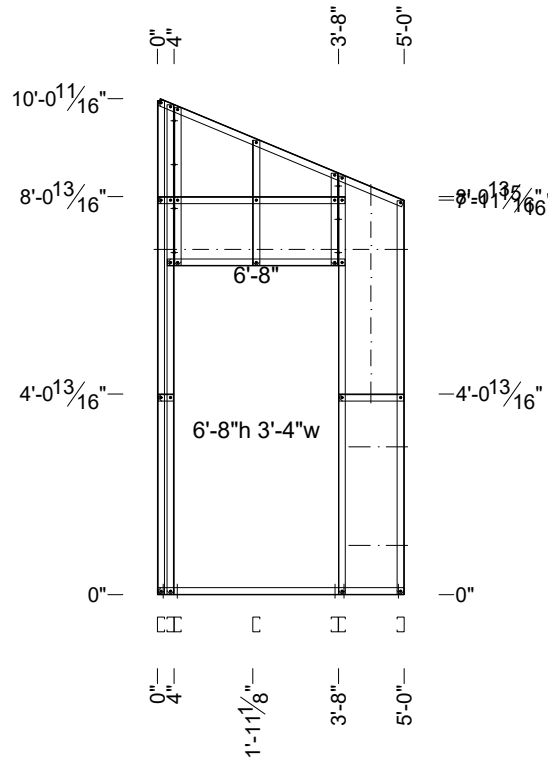
System Name:	FRAMECAD_FT_i	Wall Type:	Non Load Bearing	Wind Speed:	W180	Design Code:	AISI S100-20 ASD
Loading Code:	IBC 2015 ASD	Material Grade Reduction:	Not Applied	Panel RL:	0"	Envelope:	8'-1 5/16"h x 2'-2 3/8"w
Direction:	W-E						

362S162-33-50	1	3'-7 3/16"	362S162-33-50	1	3'-9 1/2"	362S162-33-50	1	5'-0"	362S162-33-50	1	5'-4 5/16"	362S162-33-50	1	7'-11 13/16"
362S162-33-50	1	8'-5 3/4"	362S162-33-50	1	9'-11 1/8"	362S162-33-50	1	10'-0 1/16"	362S162-33-50	1	1'-3 3/4"	362S162-33-50	1	1'-10 7/16"
362S162-33-50	1	2'-6 3/8"	362S162-33-50	1	3 3/4"	362S162-33-50	1	3'-2 3/8"						

Assembly Weight 59lbs Working Sheet: Wall Panels FRAMECAD 10g-19mm XDrive 66

Powered by FRAMECAD Structure ®

Diagonal = 11'-2 3/4"



<<< Joins Quantity Required = 1 Mark as N8 Header Status = Passed Stud Status = 56 Joins >>>

System Name:	FRAMECAD_FT_i	Wall Type:	Non Load Bearing	Wind Speed:	W180	Design Code:	AISI S100-20 ASD
Loading Code:	IBC 2015 ASD	Material Grade Reduction:	Not Applied	Panel RL:	0"	Envelope:	10'-0 11/16"h x 5'w
Direction:	N-S						